



TRANSPORTATION CABINET

Frankfort, Kentucky 40622
www.transportation.ky.gov/

Steven L. Beshear
Governor

Michael W. Hancock, P.E.
Secretary

June 11, 2012

CALL NO. 301
CONTRACT ID NO. 121325
ADDENDUM # 1

Subject: Hancock County, JL03 046 0060 008-010
Letting June 15, 2012

- (1) Revised - Plan Sheets - R2, R2a & R2b
- (2) Revised - Bid Items - Pages 126-129 of 129

Proposal revisions are available at <http://transportation.ky.gov/Construction-Procurement/>.

Plan revisions are available at <http://www.lynnimaging.com/kytransportation/>.

If you have any questions, please contact us at 502-564-3500.

Sincerely,

A handwritten signature in blue ink that reads "Ryan Griffith".

Ryan Griffith
Director
Division of Construction Procurement

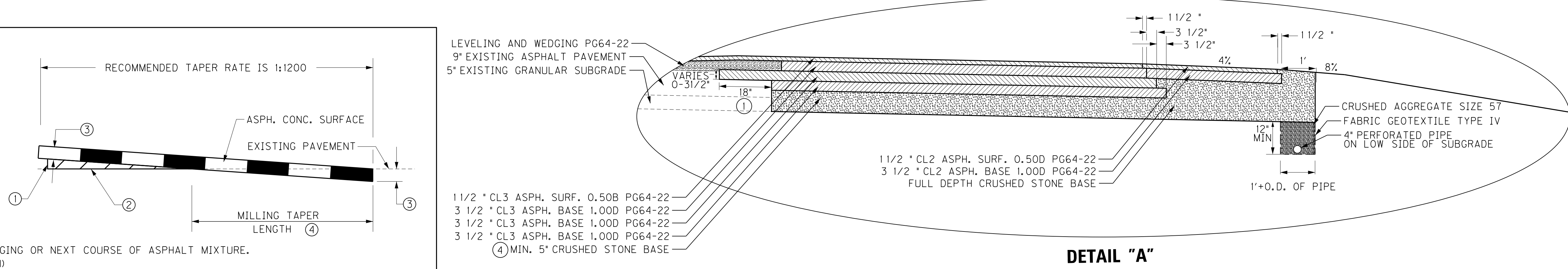
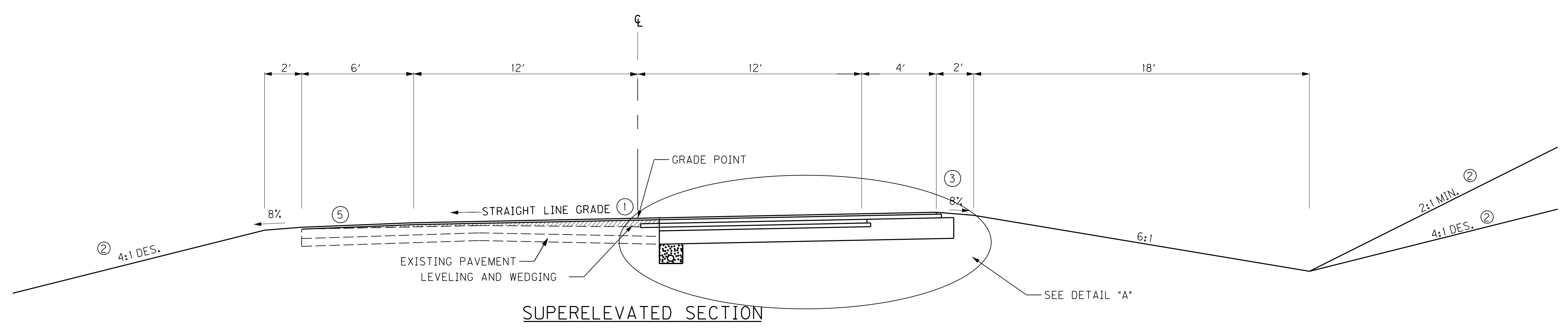
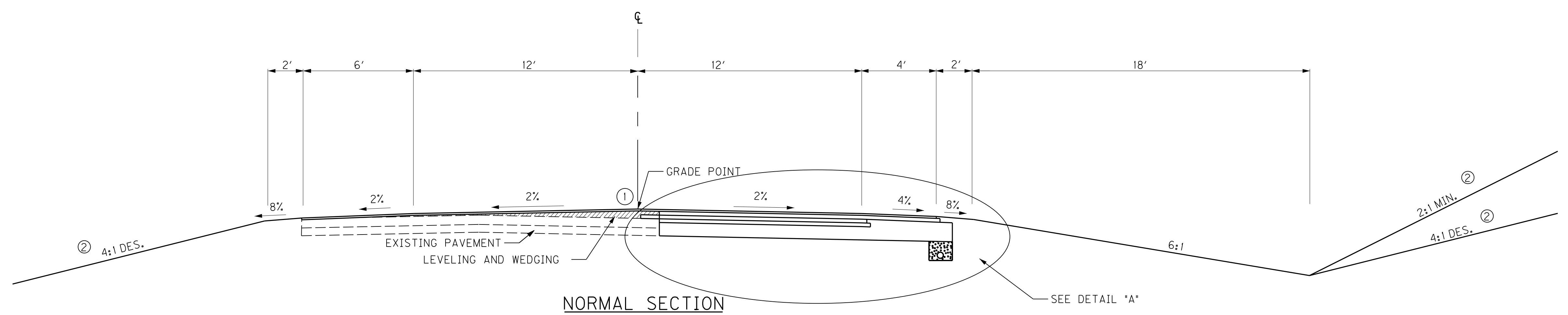
RG:ks
Enclosures



An Equal Opportunity Employer M/F/D

TYPICAL SECTIONS

STA. 535 + 00 TO STA. 563 + 70



RECOMMENDED TAPER RATE IS 1:1200

ASPH. CONC. SURFACE

EXISTING PAVEMENT

MILLING TAPER LENGTH

① MINIMUM COMPACTED THICKNESS

② ASPHALT MIXTURE FOR LEVELING AND WEDGING OR NEXT COURSE OF ASPHALT MIXTURE.

③ ASPHALT SURFACE THICKNESS (FULL DEPTH)

④ MILL EXISTING PAVEMENT TO RECEIVE ASPHALT SURFACE FULL DEPTH (EDGE KEY).
 $TAPER LENGTH (ft) = \frac{t (in) \times TAPER RATE}{12}$

FOR A TAPER RATE OF 1:1200
 TAPER LENGTH = 125 FEET WHEN t = 1.25 inches
 TAPER LENGTH = 150 FEET WHEN t = 1.50 inches

LEVELING AND WEDGING PG64-22

9" EXISTING ASPHALT PAVEMENT

5" EXISTING GRANULAR SUBGRADE

VARIES ± 0-3 1/2"

18"

11 1/2" CL3 ASPH. SURF. 0.50B PG64-22

3 1/2" CL3 ASPH. BASE 1.00D PG64-22

3 1/2" CL3 ASPH. BASE 1.00D PG64-22

3 1/2" CL3 ASPH. BASE 1.00D PG64-22

④ MIN. 5" CRUSHED STONE BASE

11 1/2" CL2 ASPH. SURF. 0.50D PG64-22

3 1/2" CL2 ASPH. BASE 1.00D PG64-22

FULL DEPTH CRUSHED STONE BASE

11 1/2"

3 1/2"

3 1/2"

4%

1"

8%

12" MIN

1' + O.D. OF PIPE

CRUSHED AGGREGATE SIZE 57

FABRIC GEOTEXTILE TYPE IV

4" PERFORATED PIPE ON LOW SIDE OF SUBGRADE

DETAIL "A"

① KEY BASE LAYER CORRESPONDING TO THE TOP OF THE EXISTING PAVEMENT USING AN 18" LONGITUDINAL PAVEMENT KEY. WORK UNDER THIS ITEM SHALL INCLUDE CUTTING OUT THE EXISTING BITUMINOUS PAVEMENT (VARIES 0-3 1/2") SO THE NEW PAVEMENT MAY HEEL INTO THE EXISTING. THE CONTRACT SHALL INCLUDE A UNIT PRICE PER LINEAR FOOT FOR "LONGITUDINAL EDGE KEY."

② SEE CROSS SECTIONS FOR SLOPES OUTSIDE THE LIMITS OF THE SHOULDERS.

③ MAXIMUM ROLLOVER OF 12%

④ BASE OF CRUSHED STONE BASE LAYER TO EXTEND TO THE BASE OF THE EXISTING GRANULAR SUBGRADE

⑤ SHOULDER SLOPE TO BE 2% OR SUPERELEVATION, WHICHEVER IS GREATER

TAPERING OF OVERLAYS ON HIGH SPEED FACILITIES (≥45 MPH)

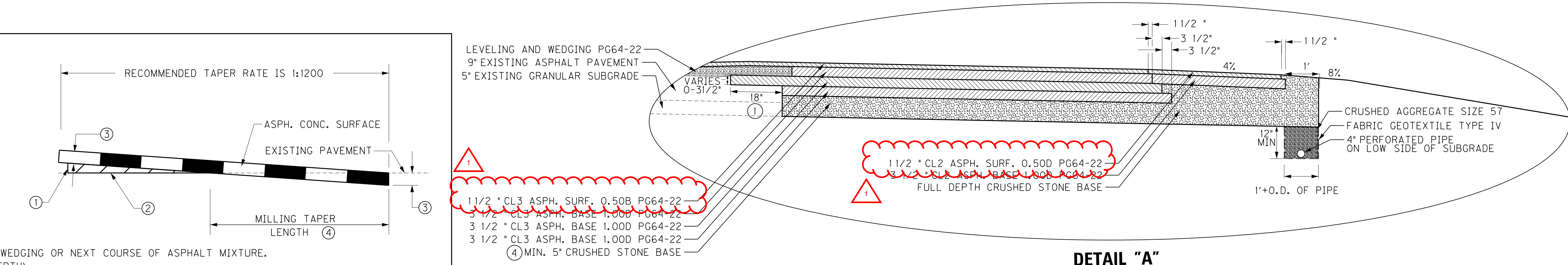
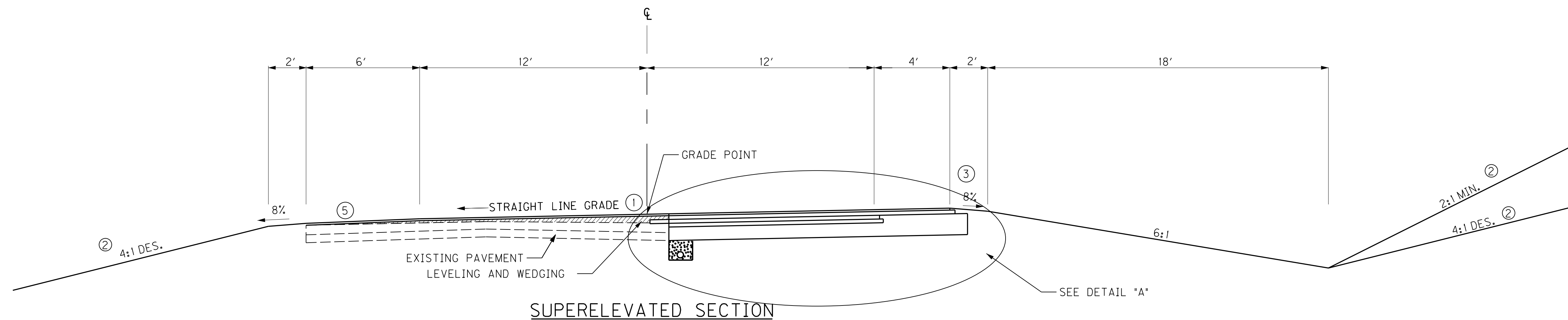
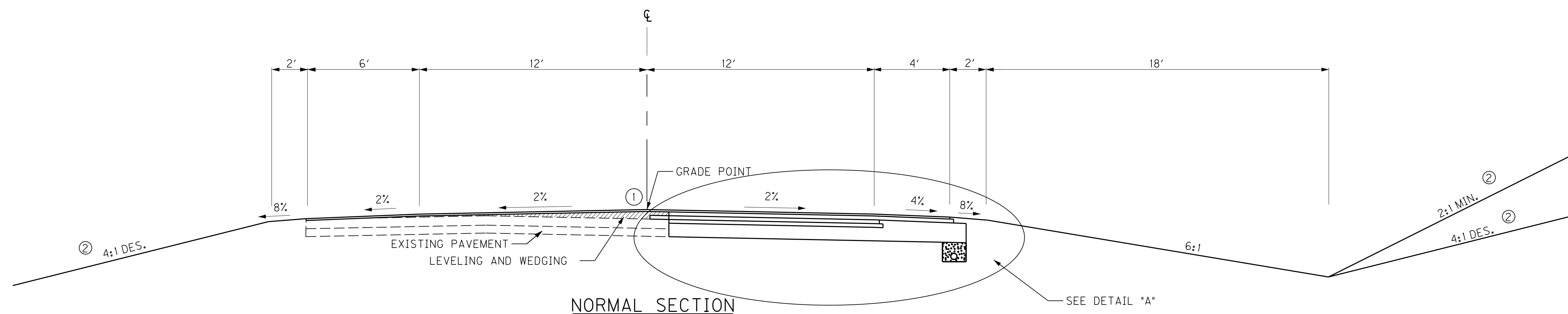
SCALE: N.T.S.

TYPICAL SECTIONS

FILE NAME: G:\PWORK\CHARLOTTE.COTTON.D0424832\POD200TS.DGN
 USER: Charlotte.Cotton
 DATE PLOTTED: June 7, 2012
 E-SHEET NAME:
 MicroStation v8.11.7.180

REVIS¹ REVISED 06-07-2012

TYPICAL SECTIONS STA. 535 + 00 TO STA. 563 + 70



- ① MINIMUM COMPACTED THICKNESS
- ② ASPHALT MIXTURE FOR LEVELING AND WEDGING OR NEXT COURSE OF ASPHALT MIXTURE.
- ③ ASPHALT SURFACE THICKNESS (FULL DEPTH)
- ④ MILL EXISTING PAVEMENT TO RECEIVE ASPHALT SURFACE FULL DEPTH (EDGE KEY).
TAPER LENGTH (ft) = $\frac{t \text{ (in)} \times \text{TAPER RATE}}{12}$

FOR A TAPER RATE OF 1:1200
TAPER LENGTH = 125 FEET WHEN t = 1.25 inches
TAPER LENGTH = 150 FEET WHEN t = 1.50 inches

TAPERING OF OVERLAYS ON HIGH SPEED FACILITIES (≥45 MPH)

- ① 1 1/2" CL3 ASPH. SURF. 0.50B PG64-22
- ② 3 1/2" CL3 ASPH. BASE 1.00B PG64-22
- ③ 3 1/2" CL3 ASPH. BASE 1.00B PG64-22
- ④ 3 1/2" CL3 ASPH. BASE 1.00B PG64-22
- ⑤ MIN. 5" CRUSHED STONE BASE

- ① KEY BASE LAYER CORRESPONDING TO THE TOP OF THE EXISTING PAVEMENT USING AN 18" LONGITUDINAL PAVEMENT KEY. WORK UNDER THIS ITEM SHALL INCLUDE CUTTING OUT THE EXISTING BITUMINOUS PAVEMENT (VARIES 0-3 1/2") SO THE NEW PAVEMENT MAY HEEL INTO THE EXISTING. THE CONTRACT SHALL INCLUDE A UNIT PRICE PER LINEAR FOOT FOR "LONGITUDINAL EDGE KEY."
- ② SEE CROSS SECTIONS FOR SLOPES OUTSIDE THE LIMITS OF THE SHOULDERS.
- ③ MAXIMUM ROLLOVER OF 12%
- ④ BASE OF CRUSHED STONE BASE LAYER TO EXTEND TO THE BASE OF THE EXISTING GRANULAR SUBGRADE
- ⑤ SHOULDER SLOPE TO BE 2% OR SUPERELEVATION, WHICHEVER IS GREATER

SCALE: N.T.S.

TYPICAL SECTIONS

FILE NAME: G:\PWORK\CHARLOTTE\COTTON.D0424832\PO0200TS.DGN

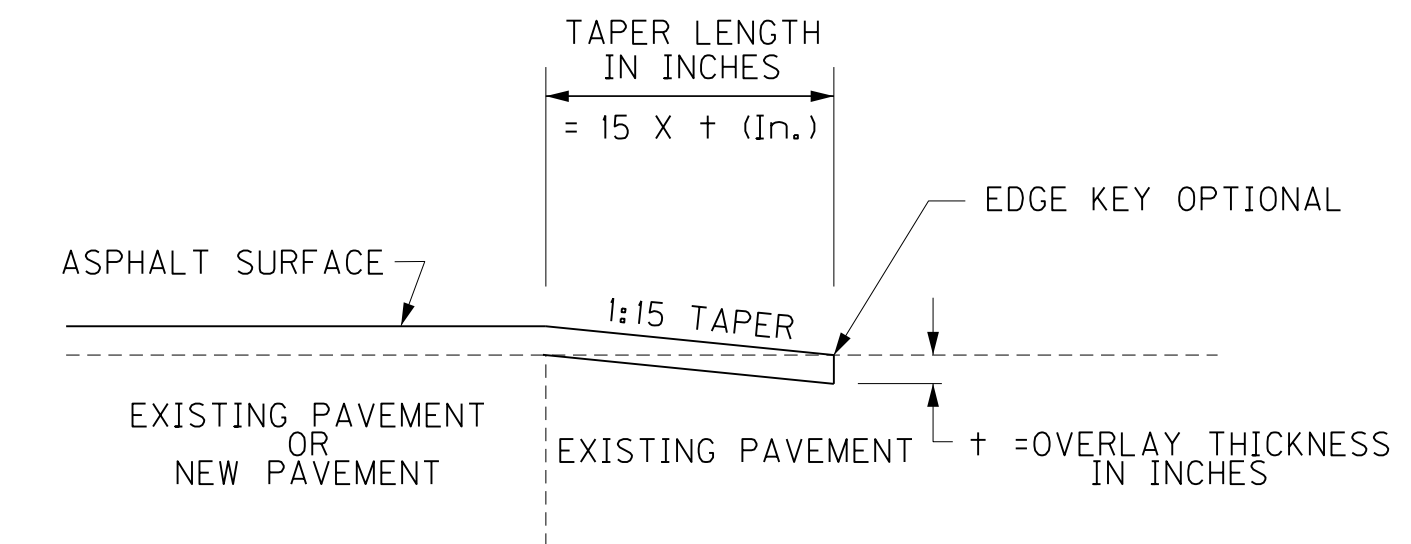
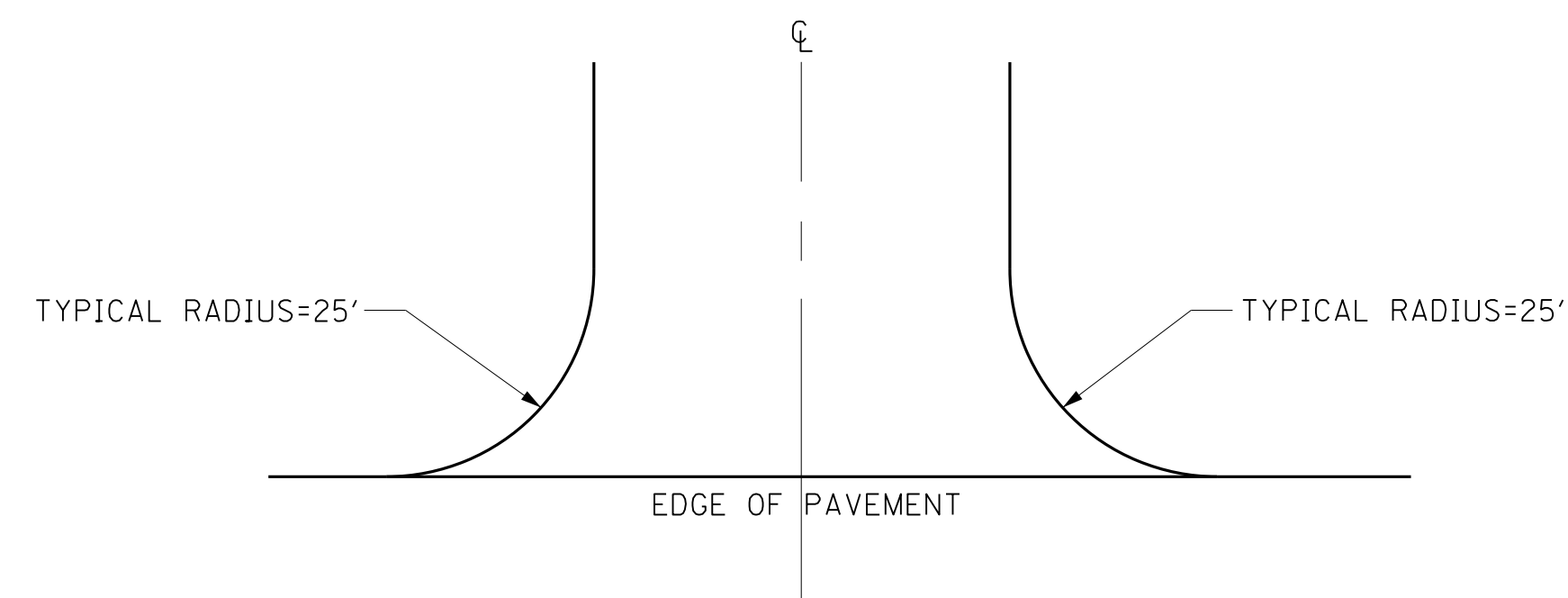
USER: Charlotte.Cotton
DATE PLOTTED: June 7, 2012

E-SHEET NAME:

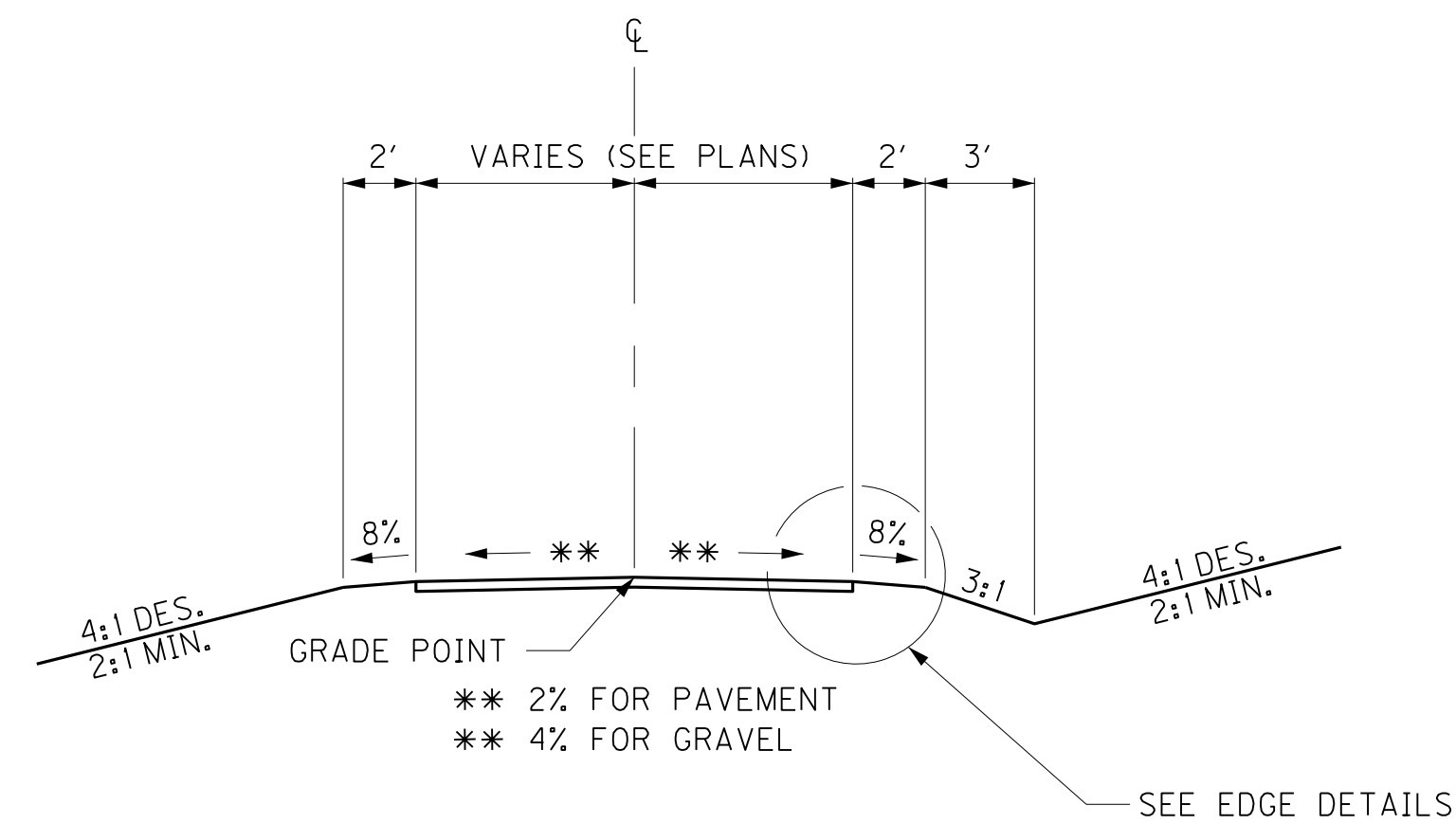
MicroStation v8.11.7.180

COUNTY OF	ITEM NO.	SHEET NO.
HANCOCK	2-125	R2A

TYPICAL SECTIONS RESIDENTIAL & COMMERCIAL ENTRANCES

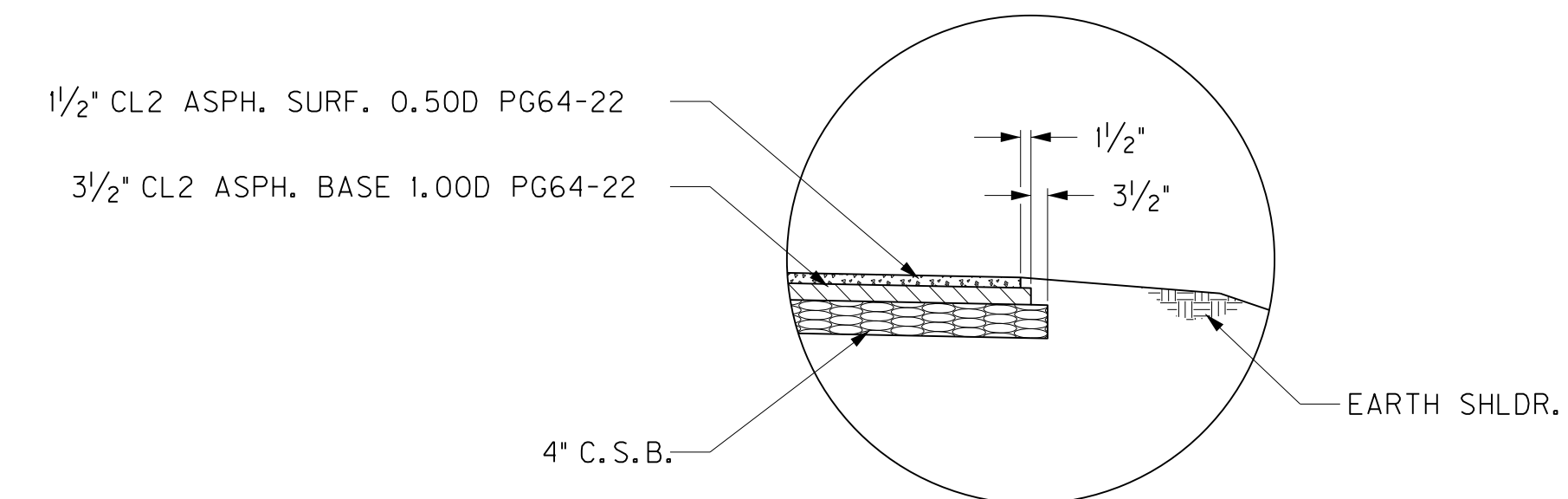


ENTRANCE TAPERS

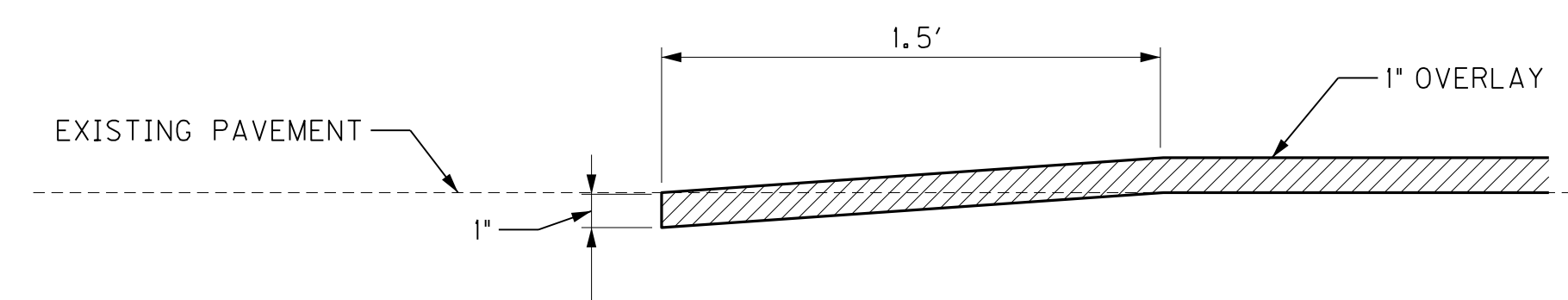


ENTRANCES

**RESIDENTIAL ENTRANCE
EDGE DETAIL**



EDGE KEY DETAIL



WORK UNDER THIS ITEM SHALL INCLUDE CUTTING OUT THE EXISTING BITUMINOUS SURFACE TO A MINIMUM DEPTH AND WIDTH AS SHOWN, SO THE NEW SURFACE MAY HEEL INTO THE EXISTING SURFACE. THE CONTRACT UNIT PRICE BID PER FOOT FOR "EDGE KEY" SHALL INCLUDE ALL NECESSARY MATERIALS, LABOR, EQUIPMENT, ETC. TO PERFORM THE WORK AND DISPOSE OF THE BITUMINOUS MATERIAL REMOVED.

SCALE: N.T.S.

TYPICAL SECTIONS

FILE NAME: C:\PWORK\CHARLOTTE\COTTON.D0424832\R0020ATS.DGN

USER: Charlotte.Cotton
DATE PLOTTED: June 7, 2012

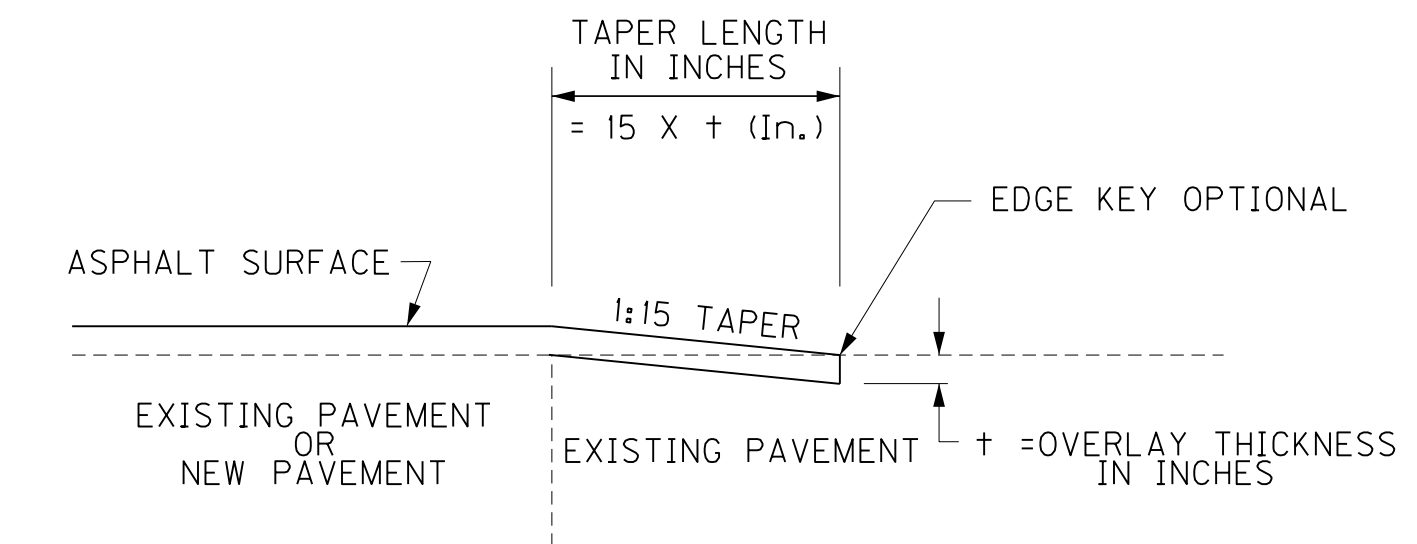
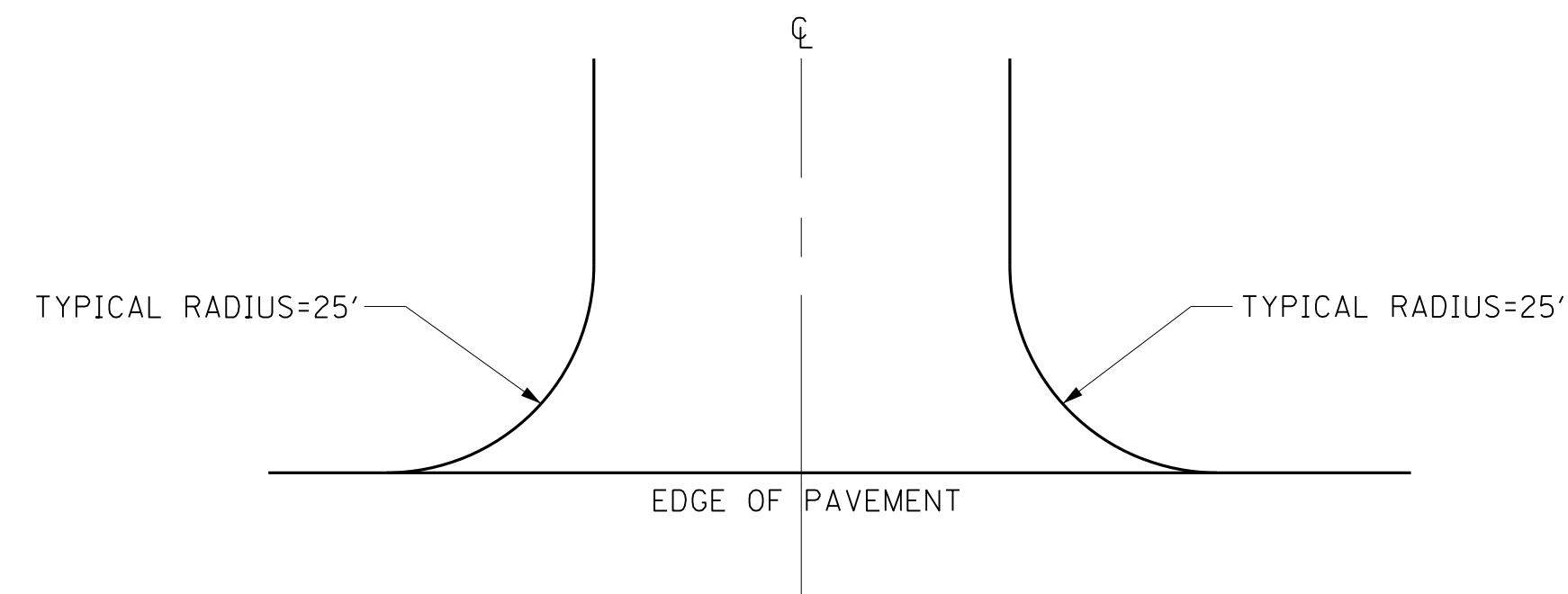
E-SHEET NAME:

MicroStation v8.11.7.180

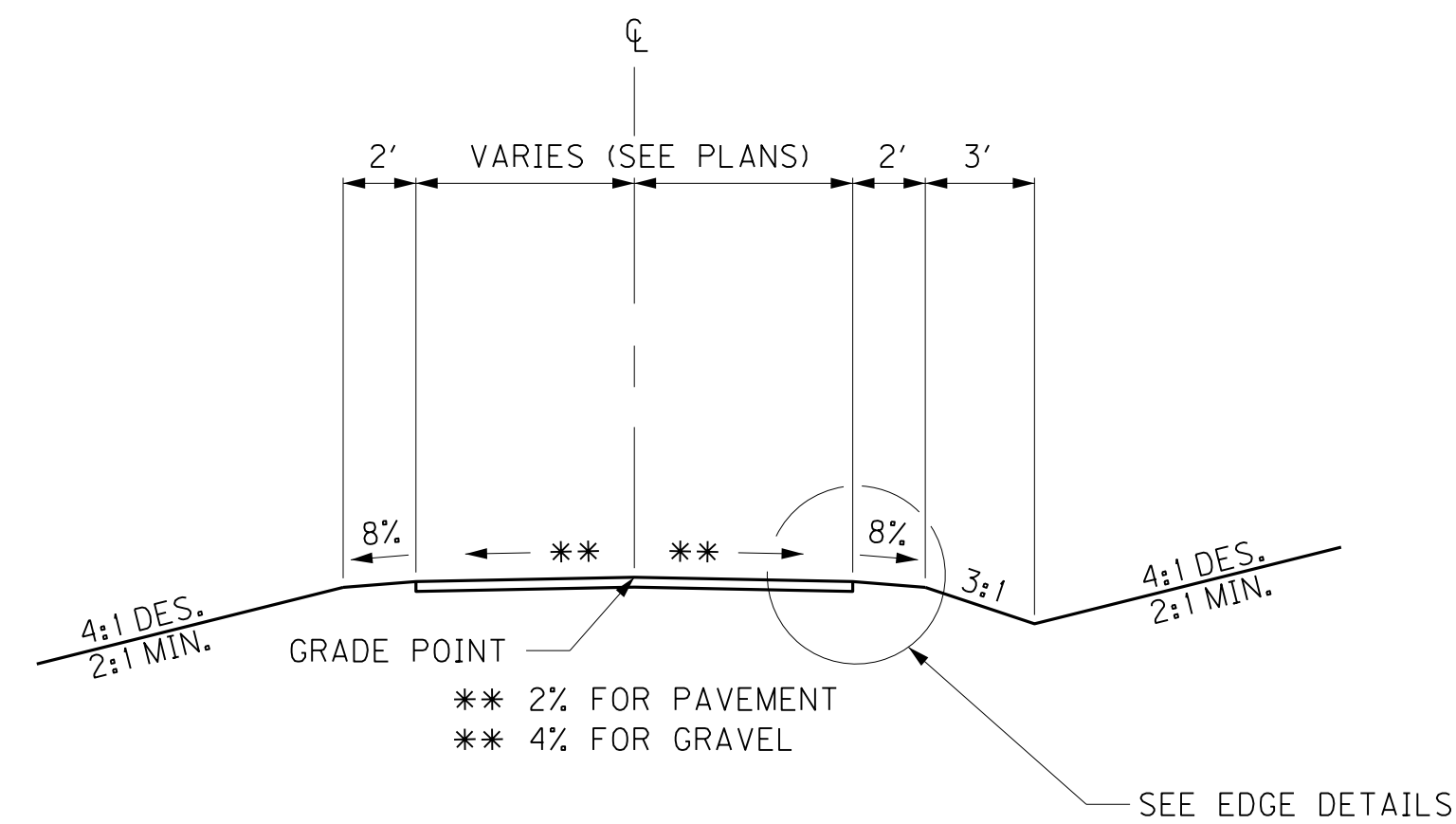
COUNTY OF	ITEM NO.	SHEET NO.
HANCOCK	2-125	R2A

REVISION 06-07-2012

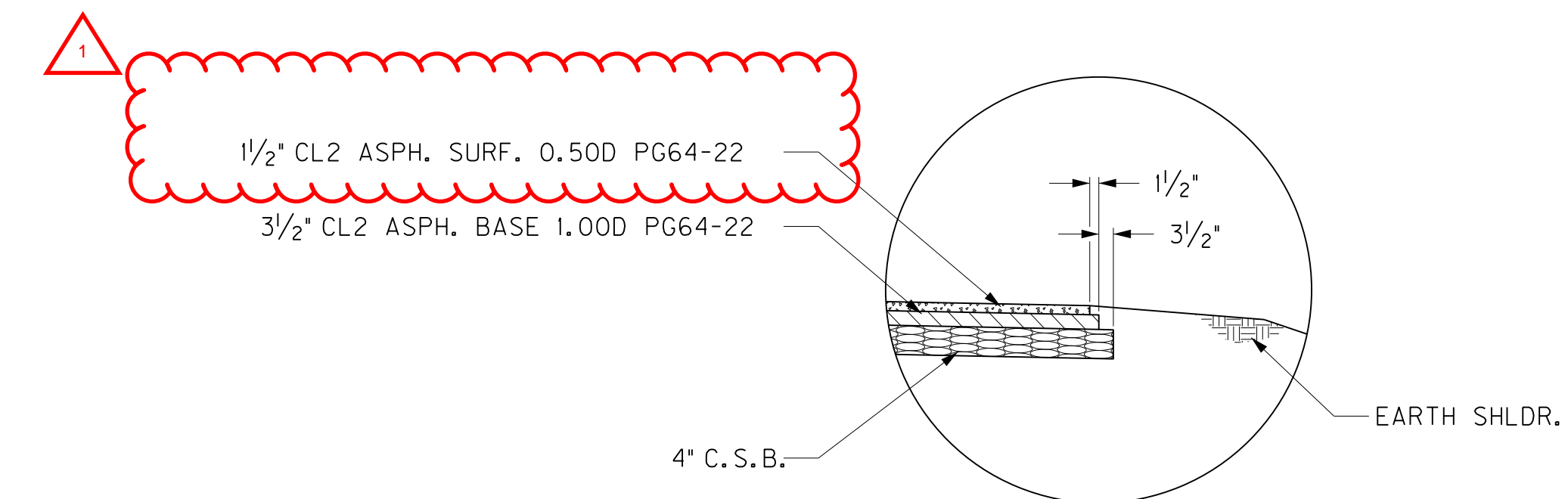
TYPICAL SECTIONS RESIDENTIAL & COMMERCIAL ENTRANCES



ENTRANCE TAPERS

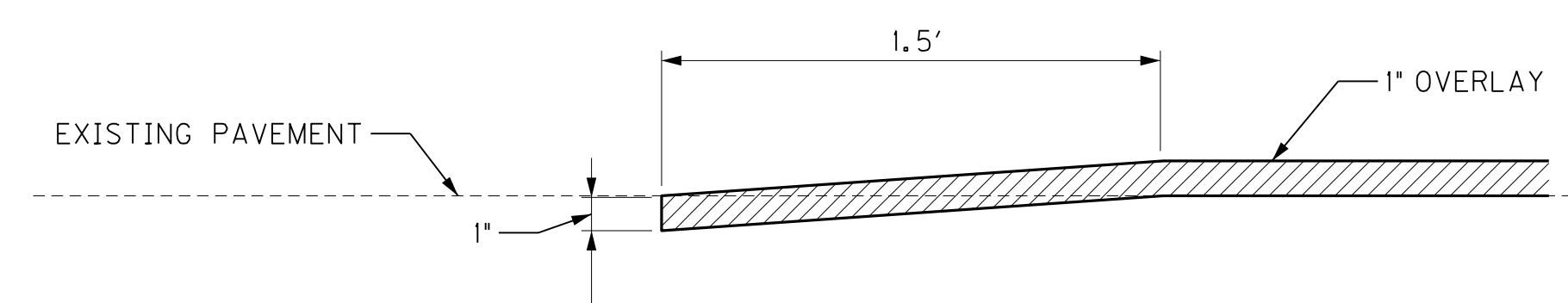


ENTRANCES



RESIDENTIAL ENTRANCE
EDGE DETAIL

EDGE KEY DETAIL



WORK UNDER THIS ITEM SHALL INCLUDE CUTTING OUT THE EXISTING BITUMINOUS SURFACE TO A MINIMUM DEPTH AND WIDTH AS SHOWN, SO THE NEW SURFACE MAY HEEL INTO THE EXISTING SURFACE. THE CONTRACT UNIT PRICE BID PER FOOT FOR "EDGE KEY" SHALL INCLUDE ALL NECESSARY MATERIALS, LABOR, EQUIPMENT, ETC. TO PERFORM THE WORK AND DISPOSE OF THE BITUMINOUS MATERIAL REMOVED.

SCALE: N. T. S.

TYPICAL SECTIONS

FILE NAME: C:\PWORK\CHARLOTTE.COTTON.D0424832\R0020ATS.DGN

USER: Charlotte.Cotton
DATE PLOTTED: June 7, 2012

E-SHEET NAME:

MicroStation v8.11.7.180

GENERAL SUMMARY

ITEM	DESCRIPTION	UNIT	U.S. 60	PROJECT TOTAL
1015	INSPECT & CERTIFY EDGE DRAIN SYSTEM	LP SUM	1	1
2159	TEMP. DITCH	LIN FT	1904	1904
2160	CLEAN TEMP. DITCH	LIN FT	1904	1904
2200	ROADWAY EXCAVATION (9) (10)	CU YD	19821	19821
2242	WATER (FOR DUST CONTROL) (7)	M GAL	720	720
2483	CHANNEL LINING CLASS II	TON	163	163
2545	CLEARING AND GRUBBING (6)	LP SUM	1	1
2562	SIGNS (DETOURS AND MAINTENANCE OF TRAFFIC)	SQ FT	137	137
2569	DEMOBILIZATION	LP SUM	1	1
2596	GEOTEXTILE FABRIC TYPE I (13)	SQ YD	4656	4656
2600	FABRIC - GEOTEXTILE TY IV FOR PIPE (8)	SQ YD	1959	1959
2650	MAINTAIN AND CONTROL TRAFFIC	LP SUM	1	1
2671	PORTABLE CHANGEABLE MESSAGE SIGN	EACH	1	1
2690	SAFELoading	CY	3	3
2701	TEMPORARY SILT FENCE	LIN FT	1904	1904
2703	SILT TRAP TYPE A	EACH	1	1
2704	SILT TRAP TYPE B	EACH	16	16
2705	SILT TRAP TYPE C (INLET SIDE ONLY)	EACH	8	8
2706	CLEAN SILT TRAP TYPE A	EACH	1	1
2707	CLEAN SILT TRAP TYPE B	EACH	32	32
2708	CLEAN SILT TRAP TYPE C	EACH	16	16
2709	CLEAN TEMPORARY SILT FENCE	LIN FT	1904	1904
2726	STAKING	LP SUM	1	1
2775	ARROW PANEL	EACH	1	1
5950	EROSION CONTROL BLANKET (14)	SQ YD	7462	7462
5952	TEMPORARY MULCH	SQ YD	60772	60772
5953	TEMP SEEDING AND PROTECTION	SQ YD	6077	6077
5966	TOPDRESSING FERTILIZER	TON	4	4
5985	SEEDING AND PROTECTION	SQ YD	60772	60772
6510	PAVE STRIPING-TEMP PAINT-4 IN (YELLOW)	LF	8014	8014
6510	PAVE STRIPING-TEMP PAINT-4 IN (WHITE)	LF	10848	10848
6514	PAVEMENT STRIPING PERM. PAINT 4" (YELLOW)	LF	3692	3692
6514	PAVEMENT STRIPING PERM. PAINT 4" (WHITE)	LF	4530	4530
6592	PAVEMENT MARKER TYPE V-B W/R	EACH	48	48
10020NS	FUEL ADJUSTMENT	DOLL	10347.00	10347.00
10030NS	ASPHALT ADJUSTMENT	DOLL	13494.00	13494.00
2313IER70I	PIPELINE VIDEO INSPECTION	LIN FT	581	581
21289ED	LONGITUDINAL EDGE KEY	LIN FT	3807	3807
2599	FABRIC-GEOTEXTILE TY IV (16)	SY	4900	4900
00078	CRUSHED-AGGREGATE NO. 2 (17)	TON	1865	1865

NOTES

ALL ASHALT MIXTURES SHALL BE ESTIMATED AT 110 LBS. PER SQ. YD. PER INCH OF DEPTH, UNLESS NOTED OTHERWISE.

- ① ESTIMATED AT 115 LBS. PER SQ. YD. PER INCH OF DEPTH.
- ② TOTAL BY PROJECT
- ③ IN CUBIC YARDS.
- ④ ESTIMATED AT 5 LBS. PER SQ. YD.
- ⑤ ESTIMATED AT 2 LBS. PER SQ YD.
- ⑥ APPROXIMATELY 15.8 ACRES
- ⑦ FOR CONTROLLING DUST CAUSED BY MAINTAINING TRAFFIC ONLY (1000 MGAL/MILE)

- ⑧ FOR WRAPPING PIPE TRENCH BACKFILL
- ⑨ INCLUDES 102 C.Y. OF EMBANKMENT BENCHING AND 19 C.Y. OF OUTLET DITCH EXCAVATION CARRIED FORWARD FROM PIPE DRAINAGE SUMMARY.
- ⑩ INCLUDES 562 CY OF EXCAVATION, WHERE A WORKING PLATFORM IS REQUIRED TO CREATE A STABLE SUBGRADE (SEE GEOTECHNICAL NOTE 8)
- INCLUDES 370 CY OF EXCAVATION, FOR CREATING A WORKING PLATFORM OVER SOFT AND/OR SATURATED AREAS. (SEE GEOTECHNICAL NOTE 7)

- ⑪ FOR REMOVAL OF EXISTING PIPE REQUIRED UNDER THE EASTBOUND LANES. THE REMOVAL OF ALL EXISTING PIPE UNDER THE WESTBOUND LANES SHALL BE CONSIDERED INCIDENTAL TO THE PROJECT.
- ⑫ ALL CULVERT PIPE SHALL HAVE A MANNINGS "n" OF 0.012 OR 0.013
- ⑬ FOR CHANNEL LINED DITCHES
- ⑭ INCLUDES 2806 SY OF ECB FOR USE ON 2:1 SLOPES
- ⑮ FOR PAVEMENT MILLING AND TEXTURING PAVEMENT TAPERS AT BEGINNING AND END OF PROJECT

- ⑯ INCLUDES 3560 SY OF GEOTEXTILE FABRIC TYPE IV WHERE A WORKING PLATFORM IS REQUIRED TO CREATE A STABLE SUBGRADE (SEE GEOTECHNICAL NOTE 8) AND 1340 SY OF GEOTEXTILE FABRIC TYPE IV FOR CREATING A WORKING PLATFORM OVER SOFT AND/OR SATURATED AREAS (SEE GEOTECHNICAL NOTE 7)
- ⑰ INCLUDES 1125 TONS OF NO. 2, 3, OR 23 STONE WHERE A WORKING PLATFORM IS REQUIRED TO CREATE A STABLE SUBGRADE (SEE GEOTECHNICAL NOTE 8) AND 740 TONS OF NO. 2, 3, OR 23 STONE FOR CREATING A WORKING PLATFORM OVER SOFT AND/OR SATURATED AREAS (SEE GEOTECHNICAL NOTE 7)

PIPE DRAINAGE SUMMARY

COUNTY OF	ITEM NO.	SHEET NO.
HANCOCK	02-125	R2B

SHEET NO.	ITEM CODE	SKEW	COVER HEIGHT	DESIGN PH LEVEL	CULVERT PIPE (12)					REMOVE PIPE (11)	SLOPED & FLARED BOX INLET/OUTLET 18"	SLOPED & FLARED BOX INLET/OUTLET 24"	SLOPED & FLARED BOX INLET-OUTLET 30"	REMOVE HEADWALL (11)	ROADWAY EXCAVATION (9)	CONCRETE CLASS "A"	REMARKS
					18 INCH	24 INCH	30 INCH	18 INCH EQUIV.	24 INCH EQUIV.								
					LIN FT	LIN FT	LIN FT	LIN FT	LIN FT	LIN FT	EACH	EACH	EACH	EACH	CU YDS.	CY	
	STA. 529+23	0°	4.9	M		68						2					
	STA. 531+11	0°	4.7	M	78	4			15	2	1		1				
	STA. 533+58	0°	2.6	M		4			18		1		1				
	STA. 536+21	0°	3.3	M					48				2				
	STA. 542+52	0°	3.4	M					144						2	5.65	2 DBL. CULVERT HDWLS. - 24"
	STA. 547+61	0°	3.7	M	76					2							
	STA. 551+22	0°	2.7	M											17		SEE STRUCTURES PLANS
	STA. 555+68	0°	3.6	M	62					2							
	STA. 560+78	0°	1.9	M			4		30				1	1			
	STA. 561+18	0°	3.1	M					47				2				
	STA. 564+85	0°	3.8	M			62		37				3	1			
	TOTAL PROJECT				216	76	66	144	95	100	6	4	8	4	19	5.65	

PAVING SUMMARY

ITEM CODE	ITEM	UNIT	U.S. 60	ENTRANCES	MEDIAN CROSSOVER	TOTAL PROJECT
324	CL 3 ASPH. SURF. 0.50B PG64-22	TON	820		35	855
214	CL 3 ASPH. BASE 1.0D PG64-22	TON	2,576		106	2,682
309	CL 2 ASPH. SURF. 0.50D PG64-22	TON	321	13		334
212	CL 2 ASPH. BASE 1.0D PG64-22	TON	308	32		340
190	LEVELING AND WEDGING PG64-22	TON	1,390			1,390
3	CRUSHED STONE BASE (1)	TON	3,556	39	58	3,653
358	ASPHALT CURING SEAL (5) (2)	TON	16			16
2702	SAND FOR BLOTTER (4) (2)	TON	39			39
2676	MOBILIZATION FOR MILLING AND TEXTURING	LP SUM	1			1
2677	ASPHALT PAVEMENT MILLING AND TEXTURING (15)	TON	39		6	45

PAVING AREAS

ITEM	U.S. 60	ENTRANCES	MEDIAN CROSSOVER	S Q U A R E Y A R D S		
1 1/2" CL 3 ASPH. SURF. 0.50B PG64-22	9,937		430			
3 1/2" CL 3 ASPH. BASE 1.0D PG64-22	13,384		549			
1 1/2" CL 2 ASPH. SURF. 0.50B PG64-22	3,892	163				
3 1/2" CL 2 ASPH. BASE 1.0D PG64-22	1,598	165				
LEVELING AND WEDGING PG64-22 (3)	702					
CRUSHED STONE BASE (3)	1,716		28			
4" CRUSHED STONE BASE		170				

SCALE: N.T.S.

GENERAL, PIPE & PAVING SUMMARY SHEET

FILE NAME: G:\PWORK\CHARLOTTE_COTTON.D0424832\PO020BSU.DGN

USER: Charlotte.Cotton
DATE PLOTTED: June 7, 2012

E-SHEET NAME:

MicroStation v8.11.7.180

GENERAL SUMMARY

PIPE DRAINAGE SUMMARY

COUNTY OF	ITEM NO.	SHEET NO.
HANCOCK	02-125	R2B

ITEM	DESCRIPTION	UNIT	U.S. 60	PROJECT TOTAL
1015	INSPECT & CERTIFY EDGE DRAIN SYSTEM	LP SUM	1	1
2159	TEMP. DITCH	LIN FT	1904	1904
2160	CLEAN TEMP. DITCH	LIN FT	1904	1904
2200	ROADWAY EXCAVATION (9) (10)	CU YD	19821	19821
2242	WATER (FOR DUST CONTROL) (7)	M GAL	720	720
2483	CHANNEL LINING CLASS II	TON	163	163
2545	CLEARING AND GRUBBING (6)	LP SUM	1	1
2562	SIGNS (DETOURS AND MAINTENANCE OF TRAFFIC)	SQ FT	137	137
2569	DEMobilIZATION	LP SUM	1	1
2596	GEOTEXTILE FABRIC TYPE I (13)	SQ YD	4656	4656
2600	FABRIC - GEOTEXTILE TY IV FOR PIPE (8)	SQ YD	1959	1959
2650	MAINTAIN AND CONTROL TRAFFIC	LP SUM	1	1
2671	PORTABLE CHANGEABLE MESSAGE SIGN	EACH	1	1
2690	SAFeloading	CY	3	3
2701	TEMPORARY SILT FENCE	LIN FT	1904	1904
2703	SILT TRAP TYPE A	EACH	1	1
2704	SILT TRAP TYPE B	EACH	16	16
2705	SILT TRAP TYPE C (INLET SIDE ONLY)	EACH	8	8
2706	CLEAN SILT TRAP TYPE A	EACH	1	1
2707	CLEAN SILT TRAP TYPE B	EACH	32	32
2708	CLEAN SILT TRAP TYPE C	EACH	16	16
2709	CLEAN TEMPORARY SILT FENCE	LIN FT	1904	1904
2726	STAKING	LP SUM	1	1
2775	ARROW PANEL	EACH	1	1
5950	EROSION CONTROL BLANKET (14)	SQ YD	7462	7462
5952	TEMPORARY MULCH	SQ YD	60772	60772
5953	TEMP SEEDING AND PROTECTION	SQ YD	6077	6077
5966	TOPDRESSING FERTILIZER	TON	4	4
5985	SEEDING AND PROTECTION	SQ YD	60772	60772
6510	PAVE STRIPING-TEMP PAINT-4 IN (YELLOW)	LF	8014	8014
6510	PAVE STRIPING-TEMP PAINT-4 IN (WHITE)	LF	10848	10848
6514	PAVEMENT STRIPING PERM. PAINT 4" (YELLOW)	LF	3692	3692
6514	PAVEMENT STRIPING PERM. PAINT 4" (WHITE)	LF	4530	4530
6592	PAVEMENT MARKER TYPE V-B W/R	EACH	48	48
10020NS	FUEL ADJUSTMENT	DOLL	10347.00	10347.00
10030NS	ASPHALT ADJUSTMENT	DOLL	13494.00	13494.00
23131ER70I	PIPELINE VIDEO INSPECTION	LIN FT	581	581
21289ED	LONGITUDINAL EDGE KEY	LIN FT	3807	3807
2599	FABRIC-GEOTEXTILE TY IV (16)	SY	4900	4900
00078	CRUSHED-AGGREGATE NO. 2 (17)	TON	1865	1865

SHEET NO.	ITEM CODE	SKEW	COVER HEIGHT	DESIGN PH LEVEL	CULVERT PIPE (12)					REMOVE PIPE (11)	SLOPED & FLARED BOX INLET/OUTLET 18"	SLOPED & FLARED BOX INLET/OUTLET 24"	SLOPED & FLARED BOX INLET-OUTLET 30"	REMOVE HEADWALL (11)	ROADWAY EXCAVATION (9)	CONCRETE CLASS "A"	REMARKS
					18 INCH	24 INCH	30 INCH	18 INCH EQUIV.	24 INCH EQUIV.								
	ITEM CODE																
	UNIT TO BID				LIN FT	LIN FT	LIN FT	LIN FT	LIN FT	LIN FT	EACH	EACH	EACH	EACH	CU YDS.	CY	
	STA. 529+23	0°	4.9	M		68						2					
	STA. 531+11	0°	4.7	M	78	4			15	2	1		1				
	STA. 533+58	0°	2.6	M		4			18		1		1				
	STA. 536+21	0°	3.3	M				48				2					
	STA. 542+52	0°	3.4	M			144							2	5.65	2 DBL. CULVERT HDWLS. - 24"	
	STA. 547+61	0°	3.7	M	76					2							
	STA. 551+22	0°	2.7	M										17		SEE STRUCTURES PLANS	
	STA. 555+68	0°	3.6	M	62					2							
	STA. 560+78	0°	1.9	M			4		30			1	1				
	STA. 561+18	0°	3.1	M				47				2					
	STA. 564+85	0°	3.8	M			62		37			3	1				
	TOTAL PROJECT				216	76	66	144	95	100	6	4	8	4	19	5.65	

PAVING SUMMARY

ITEM CODE	ITEM	UNIT	U.S. 60	ENTRANCES	MEDIAN CROSSOVER	TOTAL PROJECT
324	CL 3 ASPH. SURF. 0.50B PG64-22	TON	820		35	855
314	CL 3 ASPH. SURF. 0.50B PG64-22	TON	2,576		106	2,682
309	CL 2 ASPH. SURF. 0.50D PG64-22	TON	321	13		334
212	CL 2 ASPH. BASE 1.0D PG64-22	TON	308	32		340
190	LEVELING AND WEDGING PG64-22	TON	1,390			1,390
3	CRUSHED STONE BASE (1)	TON	3,556	39	58	3,653
358	ASPHALT CURING SEAL (5) (2)	TON	16			16
2702	SAND FOR BLOTTER (4) (2)	TON	39			39
2676	MOBILIZATION FOR MILLING AND TEXTURING	LP SUM	1			1
2677	ASPHALT PAVEMENT MILLING AND TEXTURING (15)	TON	39		6	45

SUMMARY OF EARTHWORK

COM	(A) 18,263 C.Y.
SURF. DT.	524 C.Y.
EMB. BENCH	102 C.Y.
(10) UNSUITABLE MATERIAL	932 C.Y.
TOTAL EXC.	19,821 C.Y.
EMB.	4,068 C.Y.
EMB. BENCH	102 C.Y.
TOTAL EMB.	4,170 C.Y.

SHRINK AND SWELL FACTORS ARE THE RESPONSIBILITY OF THE CONTRACTOR

(A) INCLUDES 19 C.Y. BROUGHT FORWARD FROM PIPE SUMMARY

PAVING AREAS

ITEM	U.S. 60	ENTRANCES	MEDIAN CROSSOVER	S Q U A R E Y A R D S		
	1 1/2" CL 3 ASPH. SURF. 0.50B PG64-22	9,937		430		
3 1/2" CL 3 ASPH. BASE 1.0D PG64-22	13,384		549			
1 1/2" CL 2 ASPH. SURF. 0.50D PG64-22	3,892	163				
3 1/2" CL 2 ASPH. BASE 1.0D PG64-22	1,598	165				
LEVELING AND WEDGING PG64-22 (3)	702					
CRUSHED STONE BASE (3)	1,716		28			
4" CRUSHED STONE BASE		170				

NOTES

- ALL ASHALT MIXTURES SHALL BE ESTIMATED AT 110 LBS. PER SQ. YD. PER INCH OF DEPTH, UNLESS NOTED OTHERWISE.
- (1) ESTIMATED AT 115 LBS. PER SQ. YD. PER INCH OF DEPTH.
- (2) TOTAL BY PROJECT
- (3) IN CUBIC YARDS.
- (4) ESTIMATED AT 5 LBS. PER SQ. YD.
- (5) ESTIMATED AT 2 LBS. PER SQ YD.
- (6) APPROXIMATELY 15.8 ACRES
- (7) FOR CONTROLLING DUST CAUSED BY MAINTAINING TRAFFIC ONLY (1000 MGAL/MILE)

- (8) FOR WRAPPING PIPE TRENCH BACKFILL
- (9) INCLUDES 102 C.Y. OF EMBANKMENT BENCHING AND 19 C.Y. OF OUTLET DITCH EXCAVATION CARRIED FORWARD FROM PIPE DRAINAGE SUMMARY.
- (10) INCLUDES 562 CY OF EXCAVATION, WHERE A WORKING PLATFORM IS REQUIRED TO CREATE A STABLE SUBGRADE (SEE GEOTECHNICAL NOTE 8)
- INCLUDES 370 CY OF EXCAVATION, FOR CREATING A WORKING PLATFORM OVER SOFT AND/OR SATURATED AREAS. (SEE GEOTECHNICAL NOTE 7)
- (11) FOR REMOVAL OF EXISTING PIPE REQUIRED UNDER THE EASTBOUND LANES. THE REMOVAL OF ALL EXISTING PIPE UNDER THE WESTBOUND LANES SHALL BE CONSIDERED INCIDENTAL TO THE PROJECT.
- (12) ALL CULVERT PIPE SHALL HAVE A MANNINGS "n" OF 0.012 OR 0.013
- (13) FOR CHANNEL LINED DITCHES
- (14) INCLUDES 2806 SY OF ECB FOR USE ON 2:1 SLOPES
- (15) FOR PAVEMENT MILLING AND TEXTURING PAVEMENT TAPERS AT BEGINNING AND END OF PROJECT

- (16) INCLUDES 3560 SY OF GEOTEXTILE FABRIC TYPE IV WHERE A WORKING PLATFORM IS REQUIRED TO CREATE A STABLE SUBGRADE (SEE GEOTECHNICAL NOTE 8) AND 1340 SY OF GEOTEXTILE FABRIC TYPE IV FOR CREATING A WORKING PLATFORM OVER SOFT AND/OR SATURATED AREAS (SEE GEOTECHNICAL NOTE 7)
- (17) INCLUDES 1125 TONS OF NO. 2, 3, OR 23 STONE WHERE A WORKING PLATFORM IS REQUIRED TO CREATE A STABLE SUBGRADE (SEE GEOTECHNICAL NOTE 8) AND 740 TONS OF NO. 2, 3, OR 23 STONE FOR CREATING A WORKING PLATFORM OVER SOFT AND/OR SATURATED AREAS (SEE GEOTECHNICAL NOTE 7)

FILE NAME: G:\PWORK\CHARLOTTE_COTTON.D0424832\PO020BSU.DGN
 USER: Charlotte.Cotton
 DATE PLOTTED: June 7, 2012
 E-SHEET NAME:
 MicroStation v8.11.7.180

SCALE: N.T.S.

CONTRACT ID: 121325
 COUNTY: HANCOCK
 PROPOSAL: JL03 046 0060 008-010

PAGE: 1
 LETTING: 06/15/12
 CALL NO: 301

LINE NO	ITEM	DESCRIPTION	APPROXIMATE QUANTITY	UNIT	UNIT PRICE	AMOUNT
SECTION 0001 PAVING						
0010	00003	CRUSHED STONE BASE	3,653.000	TON		
0020	00190	LEVELING & WEDGING PG64-22	1,390.000	TON		
0030	00212	CL2 ASPH BASE 1.00D PG64-22	340.000	TON		
0040	00214	CL3 ASPH BASE 1.00D PG64-22	2,682.000	TON		
0050	00309	CL2 ASPH SURF 0.50D PG64-22 (REVISED: 6-11-12)	334.000	TON		
0060	00358	ASPHALT CURING SEAL	16.000	TON		
0070	00324	CL3 ASPH SURF 0.50B PG64-22 (REVISED: 6-11-12)	855.000	TON		
0080	02676	MOBILIZATION FOR MILL & TEXT	(1.00)	LS		
0090	02677	ASPHALT PAVE MILLING & TEXTURING	45.000	TON		
0100	02702	SAND FOR BLOTTER	39.000	TON		
SECTION 0002 ROADWAY						
0110	00078	CRUSHED AGGREGATE SIZE NO 2	1,865.000	TON		
0120	01015	INSPECT & CERTIFY EDGE DRAIN SYSTEM	(1.00)	LS		
0130	02159	TEMP DITCH	1,904.000	LF		
0140	02160	CLEAN TEMP DITCH	1,904.000	LF		
0150	02200	ROADWAY EXCAVATION	19,821.000	CUYD		
0160	02242	WATER	720.000	MGAL		
0170	02483	CHANNEL LINING CLASS II	163.000	TON		
0180	02545	CLEARING AND GRUBBING (15.8 ACRES)	(1.00)	LS		
0190	02562	SIGNS	137.000	SQFT		

CONTRACT ID: 121325
 COUNTY: HANCOCK
 PROPOSAL: JL03 046 0060 008-010

PAGE: 2
 LETTING: 06/15/12
 CALL NO: 301

LINE NO	ITEM	DESCRIPTION	APPROXIMATE QUANTITY	UNIT	UNIT PRICE	AMOUNT
0200	02596	FABRIC-GEOTEXTILE TYPE I	4,656.000	SQYD		
0210	02599	FABRIC-GEOTEXTILE TYPE IV	4,900.000	SQYD		
0220	02600	FABRIC GEOTEXTILE TY IV FOR PIPE	1,959.000	SQYD	2.00	3,918.00
0230	02650	MAINTAIN & CONTROL TRAFFIC	(1.00)	LS		
0240	02671	PORTABLE CHANGEABLE MESSAGE SIGN	1.000	EACH		
0250	02690	SAFELOADING	3.000	CUYD		
0260	02701	TEMP SILT FENCE	1,904.000	LF		
0270	02703	SILT TRAP TYPE A	1.000	EACH		
0280	02704	SILT TRAP TYPE B	16.000	EACH		
0290	02705	SILT TRAP TYPE C	8.000	EACH		
0300	02706	CLEAN SILT TRAP TYPE A	1.000	EACH		
0310	02707	CLEAN SILT TRAP TYPE B	32.000	EACH		
0320	02708	CLEAN SILT TRAP TYPE C	16.000	EACH		
0330	02709	CLEAN TEMP SILT FENCE	1,904.000	LF		
0340	02726	STAKING	(1.00)	LS		
0350	02775	ARROW PANEL	1.000	EACH		
0360	05950	EROSION CONTROL BLANKET	7,462.000	SQYD		
0370	05952	TEMP MULCH	60,772.000	SQYD		
0380	05953	TEMP SEEDING AND PROTECTION	6,077.000	SQYD		
0390	05966	TOPDRESSING FERTILIZER	4.000	TON		
0400	05985	SEEDING AND PROTECTION	60,772.000	SQYD		

CONTRACT ID: 121325
 COUNTY: HANCOCK
 PROPOSAL: JL03 046 0060 008-010

PAGE: 3
 LETTING: 06/15/12
 CALL NO: 301

LINE NO	ITEM	DESCRIPTION	APPROXIMATE QUANTITY	UNIT	UNIT PRICE	AMOUNT
0410	06510	PAVE STRIPING-TEMP PAINT-4 IN (WHITE)	10,848.000	LF		
0420	06510	PAVE STRIPING-TEMP PAINT-4 IN (YELLOW)	8,014.000	LF		
0430	06514	PAVE STRIPING-PERM PAINT-4 IN (WHITE)	4,530.000	LF		
0440	06514	PAVE STRIPING-PERM PAINT-4 IN (YELLOW)	3,692.000	LF		
0450	06592	PAVEMENT MARKER TYPE V-B W/R	48.000	EACH		
0460	10020NS	FUEL ADJUSTMENT	10,347.000	DOLL	1.00	10,347.00
0470	10030NS	ASPHALT ADJUSTMENT	13,494.000	DOLL	1.00	13,494.00
0480	21289ED	LONGITUDINAL EDGE KEY	3,807.000	LF		
0490	23131ER701	PIPELINE VIDEO INSPECTION	581.000	LF		
SECTION 0003 DRAINAGE						
0500	00078	CRUSHED AGGREGATE SIZE NO 2	12.000	TON		
0510	00462	CULVERT PIPE-18 IN	216.000	LF		
0520	00464	CULVERT PIPE-24 IN	76.000	LF		
0530	00466	CULVERT PIPE-30 IN	66.000	LF		
0540	00491	CULVERT PIPE-18 IN EQUIV	144.000	LF		
0550	00492	CULVERT PIPE-24 IN EQUIV	95.000	LF		
0560	01000	PERFORATED PIPE-4 IN	3,780.000	LF		
0570	01010	NON-PERFORATED PIPE-4 IN	143.000	LF		
0580	01032	PERF PIPE HEADWALL TY 4-4 IN	12.000	EACH		
0590	01310	REMOVE PIPE	100.000	LF		
0600	01450	S & F BOX INLET-OUTLET-18 IN	6.000	EACH		

CONTRACT ID: 121325
 COUNTY: HANCOCK
 PROPOSAL: JL03 046 0060 008-010

PAGE: 4
 LETTING: 06/15/12
 CALL NO: 301

LINE NO	ITEM	DESCRIPTION	APPROXIMATE QUANTITY	UNIT	UNIT PRICE	AMOUNT
0610	01451	S & F BOX INLET-OUTLET-24 IN	4.000	EACH		
0620	01452	S & F BOX INLET-OUTLET-30 IN	8.000	EACH		
0630	02625	REMOVE HEADWALL	4.000	EACH		
0640	08100	CONCRETE-CLASS A	5.650	CUYD		
SECTION 0004 BRIDGE						
0650	02403	REMOVE CONCRETE MASONRY	16.000	CUYD		
0660	08003	FOUNDATION PREPARATION	(1.00)	LS		
0670	08100	CONCRETE-CLASS A	65.800	CUYD		
0680	08150	STEEL REINFORCEMENT	6,870.000	LB		
SECTION 0005 UTILITY						
0690	03404	GAS LINE-4 IN (STEEL)	3,761.000	LF		
0700	03464	TIE-IN 4 IN (EXISTING STEEL GAS LINE)	2.000	EACH		
0710	03494	VALVE-4 IN (STEEL GAS LINE)	1.000	EACH		
0720	22093NN	TIE IN TO GAS LINE (1 INCH)	2.000	EACH		
0730	24516EC	NON DESTRUCTIVE TESTING (GAS LINE)	(1.00)	LS		
0740	24517EC	PRESSURE TEST GAS LINE (4 INCH STEEL)	1.000	EACH		
0750	24518EC	CAP AND ABANDON (4 INCH STEEL GAS LINE)	2.000	EACH		
SECTION 0006 DEMOBILIZATION						
0760	02569	DEMOBILIZATION (AT LEAST 1.5%)		LUMP		
TOTAL BID						